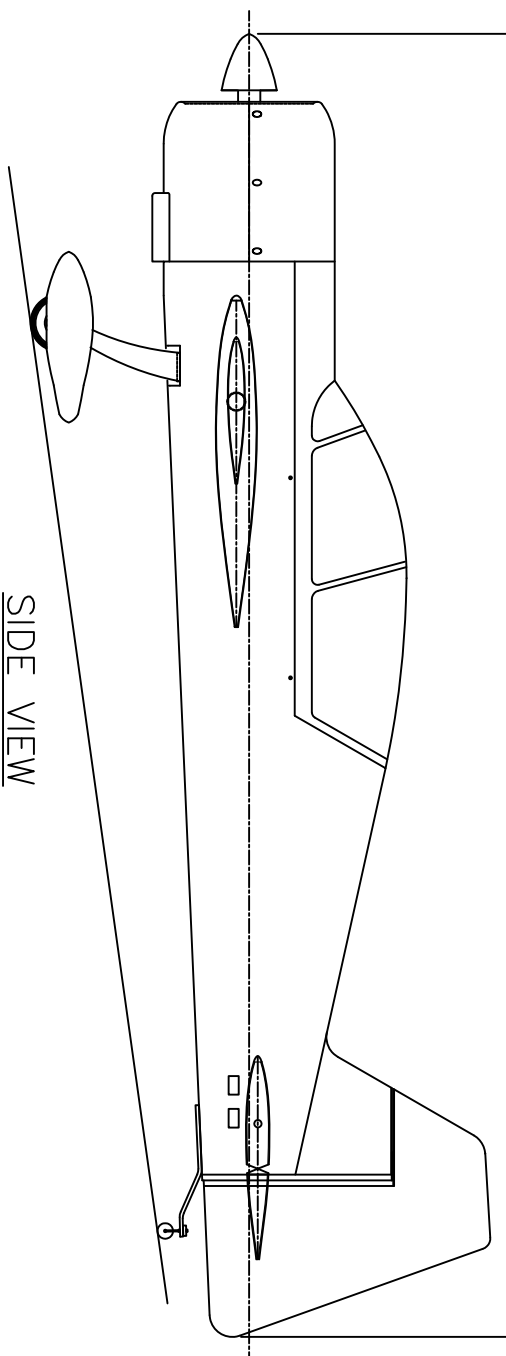
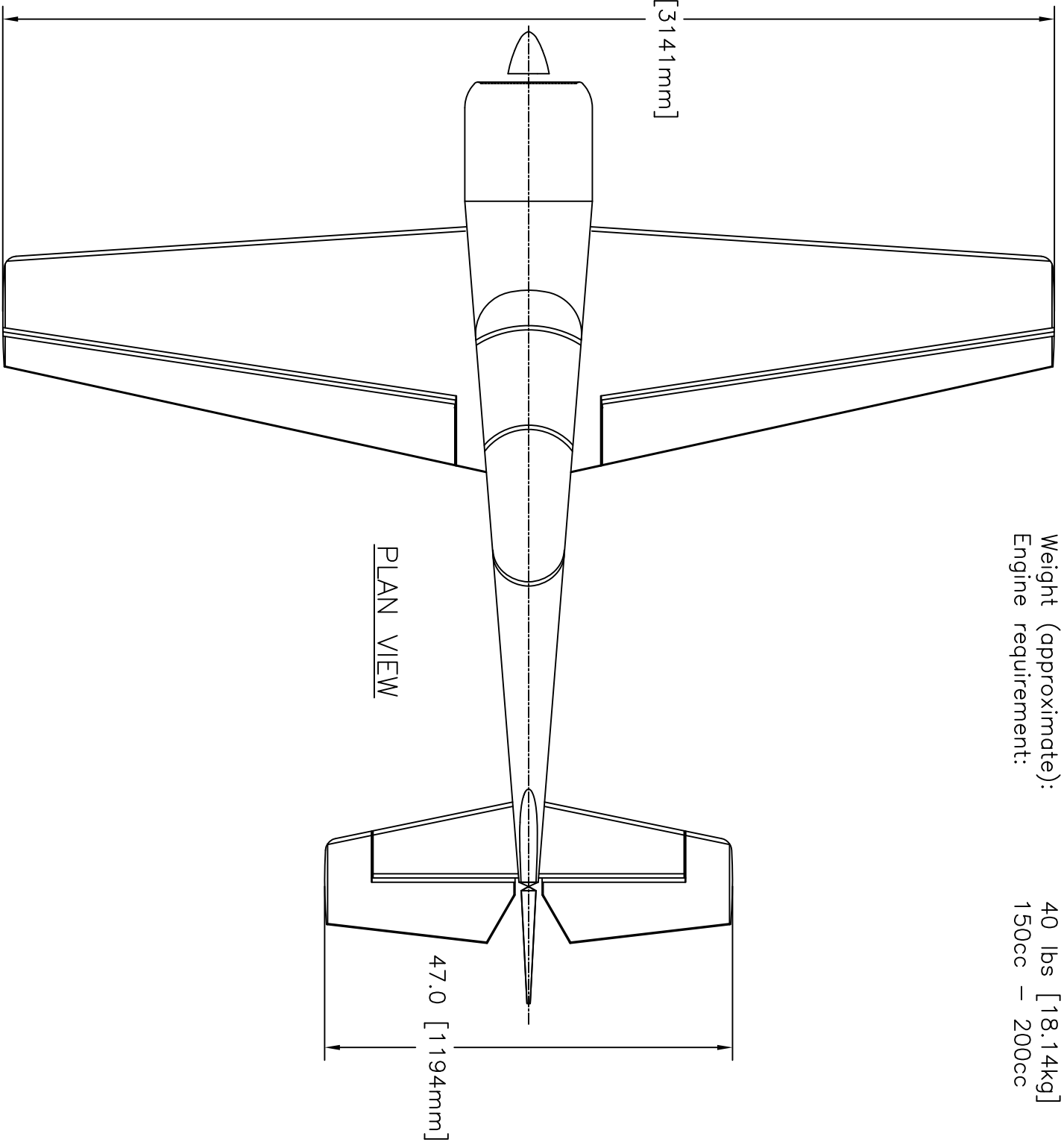


114.3 [2903mm]



SIDE VIEW

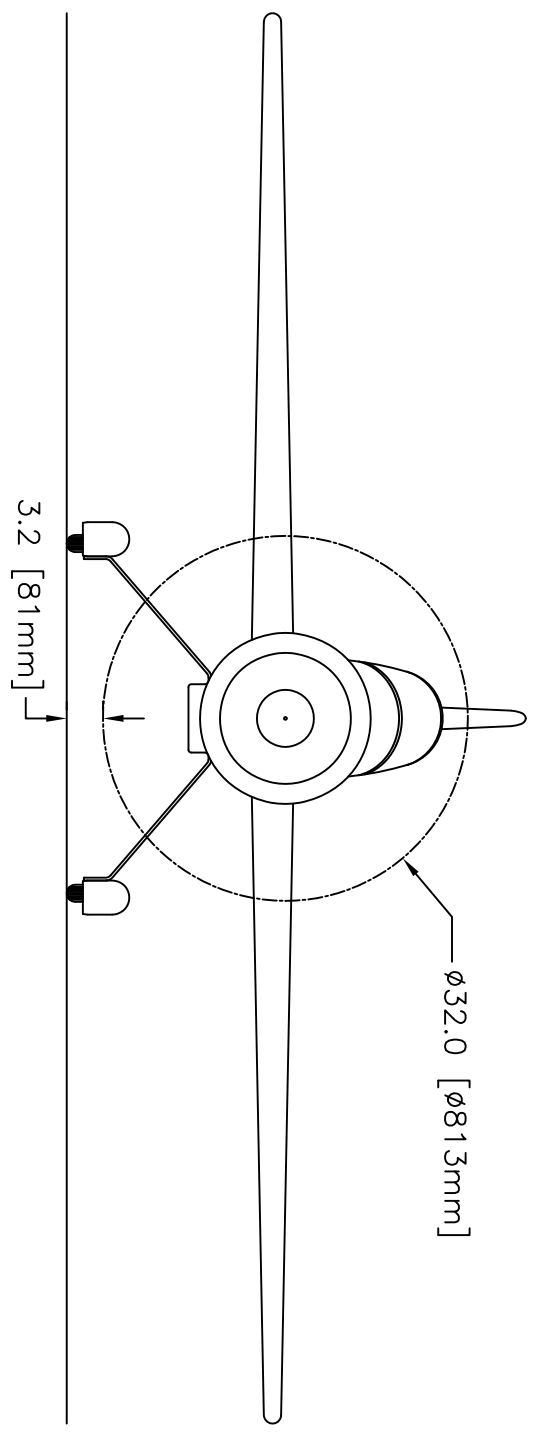
123.7 [3141mm]



PLAN VIEW

47.0 [1194mm]

**Dalton Aviation Yak-54, 38.5%**  
 Wingspan: 123.7" [3141m]  
 Stabspan: 47.0" [1194mm]  
 Length (including spinner): 114.3" [2903mm]  
 Weight (approximate): 40 lbs [18.14kg]  
 Engine requirement: 150cc - 200cc



FRONT VIEW

3.2 [81mm]

ø32.0 [ø813mm]

This drawing for reference only.

Designed by:	RMG	October 2009	<b>DALTON AVIATION INC.</b> 14655 Avenida Cucana Sahuarita, AZ 85629 (Ph) 520-777-5631 <a href="mailto:tony@daltonaviation.com">tony@daltonaviation.com</a>
Drawn by:	RMG	November 2010	
Approved by:	AJR	November 2010	
Description:			
Yak 54 3-View - General Arrangement			
Drawing / Part No:	DAV543853V	Sheet: 1 of 1	THE CONTENT OF THIS DOCUMENT IS THE PROPERTY OF DALTON AVIATION INC. AND MAY NOT BE REPRODUCED OR DISCLOSED TO OTHERS WITHOUT DALTON AVIATION INC'S WRITTEN CONSENT.
		Revision No: 0	